

Bourdon Tube Pressure Gauges

Standard Series, Radial Pressure Entry • Model 111.10

Pressure Gauges

Service intended

General purpose pressure gauge. Suitable for all gaseous and liquid media that will not obstruct the pressure system or attack copper alloy parts.

Design

EN 837-1

Nominal size

40, 50, 63, 80, 100 and 160 mm

Accuracy class per EN 837-1 /6

2.5

Scale ranges per EN 837-1 /5

0 ... 0.6 to 0 ... 400 bar (max. 40 bar with 160 mm)
or other equivalent units of pressure or vacuum.

Working pressure

Steady: $\frac{3}{4}$ of full scale value
Fluctuating: $\frac{2}{3}$ of full scale value
Short time: full scale value

Operating Temperature

Ambient: -40 ... +60 °C
Medium: +60 °C maximum

Temperature effect

When temperature of the pressure element deviates from reference temperature (+20 °C):
max. ± 0.4 %/10 K of the span.

Standard features

Pressure connection

Material: Cu-alloy
Threaded entry (radial) per EN 837-1 /7.3
40 mm: G $\frac{1}{8}$ B, 12 mm flats
50 and 63 mm: G $\frac{1}{4}$ B, 14 mm flats
80, 100 and 160 mm: G $\frac{1}{2}$ B, 22 mm flats

Pressure element

Material: Cu-alloy
≤ 40 bar: C-type
> 40 bar: helical type

Movement

Cu-alloy

Dial

40, 50 and 63 mm: white plastic, with pointer stop pin
80, 100 and 160 mm: white aluminium, with pointer stop pin
With black lettering
Measuring ranges 0 ... 0.6 to 0 ... 60 bar with red set pointer



Pointer

Black plastic
160 mm only: black aluminium

Case

Black plastic
160 mm only: black finish steel

Window

Crystal-clear plastic, snap-fit
160 mm only: instrument glass

Bezel ring

Without bezel
160 mm only: black finish steel

Optional extras

- Accuracy class 1.6
- Other pressure connection
- Black finish steel case (40 mm, 50 mm, 63 mm with pressure vent)
- Slip-on bezel (not 40 mm and 50 mm)

Back pressure entry see data sheet PM 01.09

Panel mounting, back pressure entry see data sheet PM 01.10

Special versions

For closed central heating

63 and 80 mm, accuracy class 2.5
With red mark pointer and adjustable green sector
Scale range 0 ... 4 bar, red mark at 2.5 or 3 bar

Refrigerant gauges

63 and 80 mm (80 mm with black finish steel case, accuracy class 1.0) Featuring scales in °C for refrigerants R 744, R 764, R 40, R 22 or R 134 a

Refrigerant field service gauges

80 mm with black finish steel case, accuracy class 1.0
Featuring SAE flare connection, knife edge pointer, scales in °C for refrigerants R 22, R 134 a and R 404 A

Tyre inflation gauges with EEC approval mark

80 mm with black finish steel case
Scale ranges 0 ... 4 and 0 ... 10 bar

For domestic central heating

80, 100 and 160 mm, accuracy class 2.5
Scale ranges 0 ... 0.6 or 0 ... 1 bar with retard scale spacing and red mark pointer

For water-level-indicator and central heating

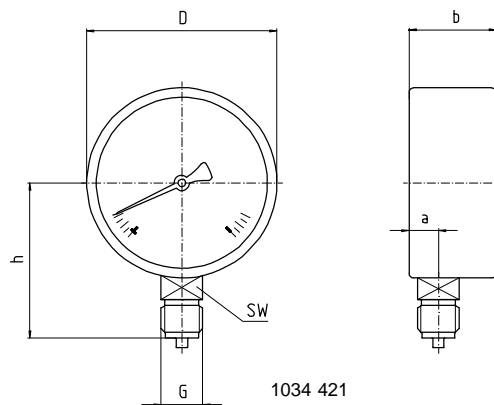
80, 100 and 160 mm, accuracy class 2.5
Scale ranges 0 ... 0.6 to 0 ... 40 bar with 2nd scale of mWS (metres of water)

Dimensions

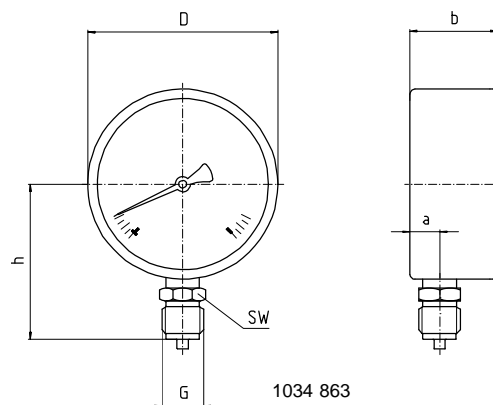
Standard versions

Radial bottom pressure connection

40, 50, 63 and 160 mm



80 and 100 mm



NS	Dimensions [mm]						Weight [kg]
	A	B ± 0.5	D	G	h ± 1	SW	
40	8	26	39	G 1/8 B	36	14	0.06
50	10	27.5	49	G 1/4 B	45	14	0.10
63	10	27.5	62	G 1/4 B	53.5	14	0.13
80	11.5	30	79	G 1/2 B	72	22	0.18
100	11.5	30	99	G 1/2 B	83.5	22	0.21
160	15.5	41.5	160	G 1/2 B	115.5	22	0.85

Standard pressure entry with parallel thread and seating to EN 837-1 / 7.3

Ordering information

State:

Pressure gauge model / Nominal size / Scale range / Size of connection / Optional extras required

Specifications and dimensions given in this leaflet represent the state of engineering at the time of printing.
Modifications may take place and materials specified may be replaced by others without prior notice.



WIKAI Alexander Wiegand GmbH & Co. KG
Alexander-Wiegand-Straße · 63911 Klingenberg
☎ (0 9372) 132-0 · ☎ (0 9372) 132-406/414
http://www.wika.de · E-mail: info@wika.de