

Art.: 3062

Válvula manguera con 2 salidas independientes

Bibcock valve with 2 independent outlets

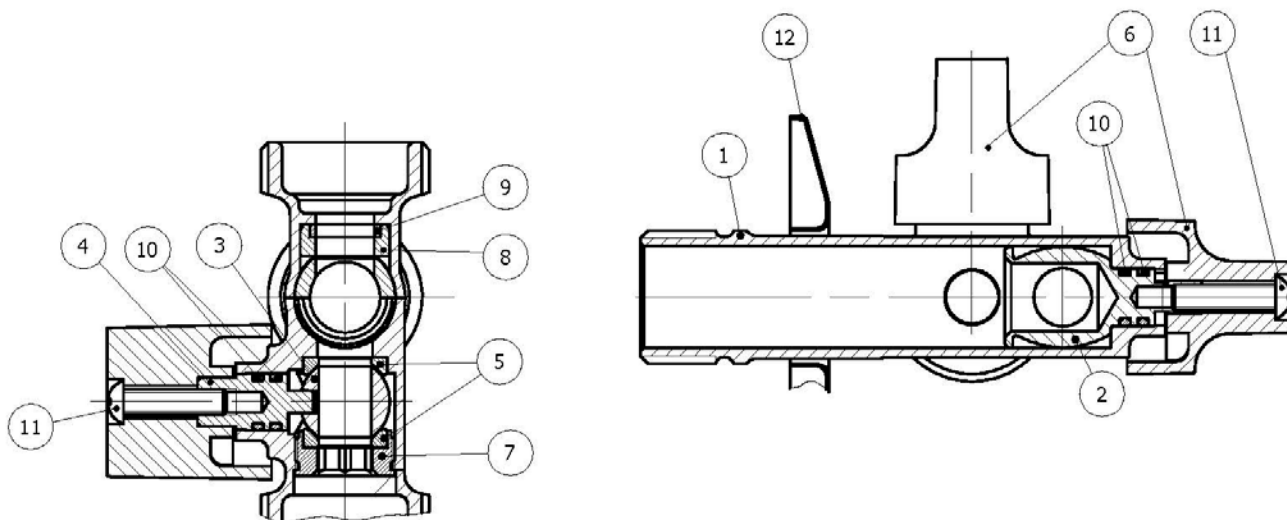
Características

1. Válvula esfera paso estándar, manguera de 2 salidas independientes.
2. Construcción en latón s/ UNE-EN12165 cromado.
3. Mandos en ABS 1/4 de vuelta.
4. Cierre central mediante eje excéntrico (sistema Genebre) y cierre lateral mediante esfera.
5. Extremos roscados gas (BSP) Macho s/ ISO 228/1
6. Presión máxima de trabajo 16 bar (PN-16).
7. Temperatura de trabajo desde -10°C a 120°C.

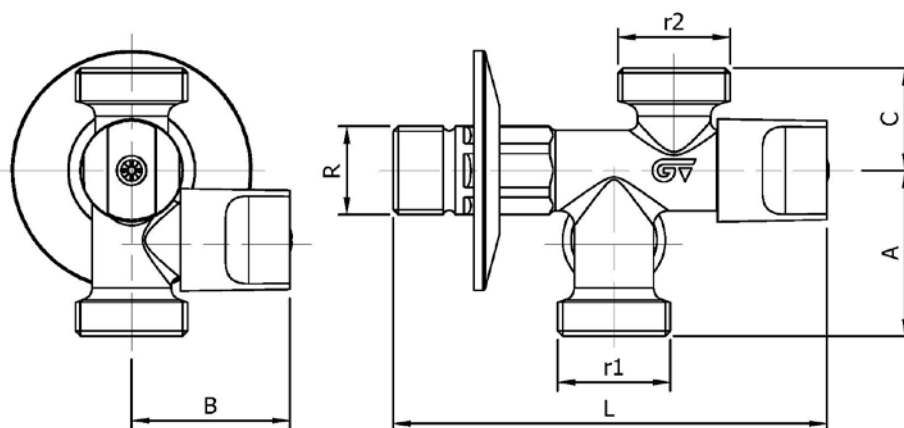
Features

1. Bibcock ball valve standard bore, with 2 independents outlets.
2. Brass construction acc/ to UNE-EN12165 chrome plated.
3. ABS 1/4 turn handles.
4. Central locking by eccentric stem (Genebre system) and lateral locking by ball valve.
5. Threaded ends gas (BSP) Male acc/ ISO 228/1.
6. Maximum working pressure 16 bar (PN-16).
7. Working temperature from -10°C to 120°C.





| Nº | Denominación/Name | Material | Acabado Superficial / Surface Treatment |
|----|-----------------------|-----------------------|---|
| 1 | Cuerpo / Body | Latón / Brass | Cromado + Pulido / Chromed + Polished |
| 2 | Eje / Stem | Latón / Brass | - |
| 3 | Esfera / Ball | Latón / Brass | Cromado / Chrome plated |
| 4 | Eje / Stem | Latón / Brass | - |
| 5 | Asientos / Ball seats | PTFE | - |
| 6 | Maneta / Handle | ABS | Cromado / Chrome plated |
| 7 | Tapa / Cap | Latón / Brass | Cromado / Chrome plated |
| 8 | Junta / Joint | NBR | - |
| 9 | Arandela / Washer | Latón / Brass | - |
| 10 | Junta Tórica / O-Ring | NBR | - |
| 11 | Tornillo / Screw | Latón / Brass | Cromado / Chrome plated |
| 12 | Florón / Cover | Inoxidable / S. Steel | - |



| Ref. | Medida / Size R x r1 x r2 | Dimensiones/Dimensions (mm) | | | | | | | Peso / Weight (g) |
|------------|------------------------------|-----------------------------|------|------|-----|----|----|----|----------------------|
| | | R | r1 | r2 | L | A | B | C | |
| 3062 04 03 | 1/2" x 1/2" x 3/8" | 1/2" | 1/2" | 3/8" | 101 | 39 | 37 | 24 | 163 |
| 3062 04 04 | 1/2" x 1/2" x 1/2" | 1/2" | 1/2" | 1/2" | 101 | 39 | 37 | 24 | 167 |
| 3062 05 03 | 1/2" x 3/4" x 3/8" | 1/2" | 3/4" | 3/8" | 101 | 39 | 37 | 24 | 169 |
| 3062 05 04 | 1/2" x 3/4" x 1/2" | 1/2" | 3/4" | 1/2" | 101 | 39 | 37 | 24 | 173 |
| 3062 05 05 | 1/2" x 3/4" x 3/4" | 1/2" | 3/4" | 3/4" | 101 | 39 | 37 | 24 | 178 |