

ARTICULO: 2052

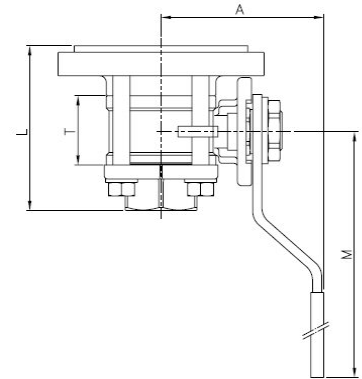
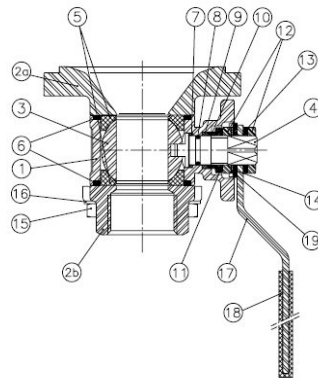
Válvula de esfera paso total para Fondo de Cubas. Tank Bottom full port ball valve.

Características

1. Válvula esfera paso total 3 piezas
2. Extremos: Fondo de tanque / roscado ISO 7-1 (EN 10226-1).
3. Construcción en Inox 1.4408 (CF8M) y 316 L.
4. Asientos PTFE + 15 % Fibra de Vidrio.
5. Tórica en el eje de FKM.
6. Juntas del eje PTFE + 15 % Grafito.
7. Sistema de bloqueo.
8. Montaje actuador directo s/ ISO 5211.
9. Eje inexpulsable.
10. Presión de trabajo máxima 63 bar.
11. Temperatura de trabajo $-25\text{ }^{\circ}\text{C} + 180\text{ }^{\circ}\text{C}$.

Features

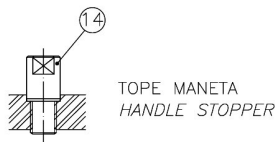
1. Stainless steel full port ball valve, 3 pieces.
2. Ends: Tank bottom / Thread end according to ISO 7-1 (EN 10226-1).
3. Made of stainless steel 1.4408(CF8M) and 316 L.
4. Ball seats PTFE + 15 % G.F.
5. FKM o'ring stem.
6. Stem gasket PTFE + 15 % Graphite.
7. Locking system.
8. Direct mounting actuator ISO 5211.
9. Blow-out proof stem.
10. Max.. Working pressure 63 bar.
11. Working Temperature $-25\text{ }^{\circ}\text{C} + 180\text{ }^{\circ}\text{C}$.



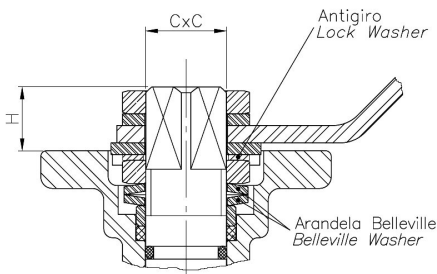
| Nº | Denominación / Name | Material | Acabado Superficial / Surface Treatment | Ref. |
|-----|--|----------------------------------|---|-------|
| 1 | Cuerpo / Body | Acero Inox AISI 316 / SS 316 | Granallado / Shot blasting | ----- |
| 2 a | Brida Fondo de Tanque / Tank Botton Flange | Acero Inox AISI 316 L / SS 316 L | ----- | ----- |
| 2 b | Tapa / Cap | Acero Inox AISI 316 / SS 316 | Granallado / Shot blasting | ----- |
| 3* | Bola / Ball | Acero Inox AISI 316 / SS 316 | ----- | 2907 |
| 4* | Eje / Stem | Acero Inox AISI 316 / SS 316 | ----- | 2905 |
| 5* | Asiento / Ball Seat | PTFE + 15% F.V. / G.F. | ----- | 2820 |
| 6* | Junta / Gasket | PTFE + grafito / graphite | ----- | 2820 |
| 7* | Arandela / Thrust Washer | PTFE + grafito / graphite | ----- | 2820 |
| 8* | Tórica / O'ring | Viton | ----- | 2820 |
| 9* | Empaquetadura / Stem packing | PTFE | ----- | 2820 |
| 10 | Anillo Prensa / Gland | Acero Inox AISI 304 / SS 304 | ----- | ----- |

| | | | | |
|----|--|-------------------------------------|-------|-------|
| 11 | Arandela Belleville / <i>Belleville Washer</i> | Acero Inox AISI 301 / <i>SS 301</i> | ----- | ----- |
| 12 | Tuerca / <i>Nut</i> | Acero Inox AISI 304 / <i>SS 304</i> | ----- | ----- |
| 13 | Arandela / <i>Washer</i> | Acero Inox AISI 304 / <i>SS 304</i> | ----- | ----- |
| 14 | Tope / <i>Stopper</i> | Acero Inox AISI 304 / <i>SS 304</i> | ----- | ----- |
| 15 | Tornillo / <i>Bolt</i> | Acero Inox AISI 304 / <i>SS 304</i> | ----- | ----- |
| 16 | Tuerca / <i>Nut</i> | Acero Inox AISI 304 / <i>SS 304</i> | ----- | ----- |
| 17 | Arandela Grover / <i>Grover washer</i> | Acero Inox AISI 304 / <i>SS 304</i> | ----- | ----- |
| 18 | Maneta / <i>Handle</i> | Acero Inox AISI 304 / <i>SS 304</i> | ----- | ----- |
| 19 | Funda / <i>Handle Sleeve</i> | Vinilo / <i>Vynil</i> | ----- | ----- |
| 20 | Antigiro / <i>Lock Washer</i> | Acero Inox AISI 304 / <i>SS 304</i> | ----- | ----- |

*** Piezas que componen los Kit de Reparación / *Repair Kit Parts***



Detalle de la zona de Eje / *Stem detail*



Antigiro / *Lock Washer*: Previene el desajuste de la tuerca del eje en elevados ciclos de maniobra / *Prevents unthreading of stem nut in high cycle automation applications.*

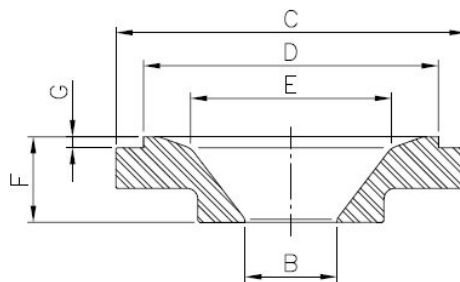
Arandela Belleville / *Belleville Washer*: Las arandelas belleville proporcionan una carga constante sobre el prensa asegurando un cierre firme en variaciones de condiciones de trabajo. / *Standard belleville washers provide constant "live load" on the stem seals, assuring a tight seal even varying service parameters.*

DIMENSIONES GENERALES / *GENERAL DIMENSIONS*

| Ref | Medida / Size | PN | Paso / Bore | Dimensiones / <i>Dimensions (mm)</i> | | | |
|---------|------------------|----|----------------|--------------------------------------|-------|-----|-------|
| | | | | A | L | M | T |
| 2052 04 | 1/2" | 63 | 15 | 60 | 65.5 | 112 | 24 |
| 2052 05 | 3/4" | 63 | 20 | 70 | 76.2 | 138 | 30 |
| 2052 06 | 1" | 63 | 25 | 70 | 83.3 | 138 | 33.5 |
| 2052 07 | 1 ¼" | 63 | 32 | 88 | 91.3 | 160 | 41.5 |
| 2052 08 | 1 ½" | 63 | 40 | 94 | 103.3 | 205 | 51.5 |
| 2052 09 | 2" | 63 | 50 | 100 | 116.5 | 205 | 63 |
| 2052 10 | 2 ½" | 63 | 65 | 150 | 147.3 | 330 | 83.5 |
| 2052 11 | 3" | 63 | 80 | 165 | 169 | 330 | 100 |
| 2052 12 | 4" | 63 | 100 | 175 | 198 | 340 | 118.5 |

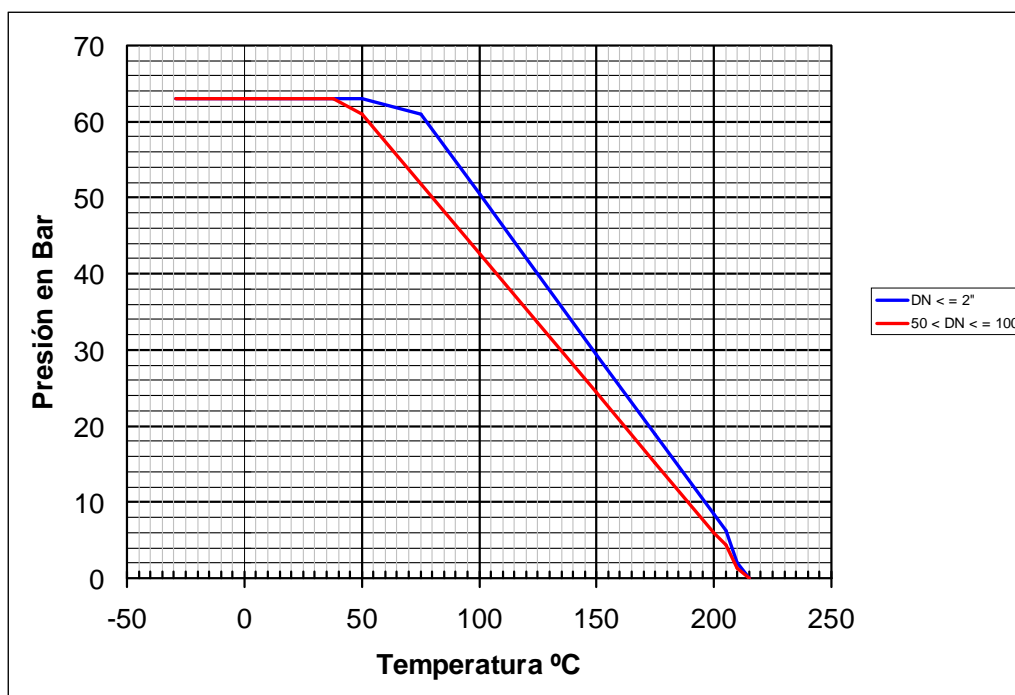
| Ref | Medida / Size | PN | Dimensiones / Dimensions (mm) | | |
|---------|---------------|----|-------------------------------|---------|-----------|
| | | | H | C x C | ISO 5211 |
| 2052 04 | 1/2" | 63 | 11 | 9 x 9 | F-03/F-04 |
| 2052 05 | 3/4" | 63 | 11 | 11 x 11 | F-04/F-05 |
| 2052 06 | 1" | 63 | 11 | 11 x 11 | F-04/F-05 |
| 2052 07 | 1 1/4" | 63 | 15 | 14 x 14 | F-05/F-07 |
| 2052 08 | 1 1/2" | 63 | 15 | 14 x 14 | F-05/F-07 |
| 2052 09 | 2" | 63 | 15 | 14 x 14 | F-05/F-07 |
| 2052 10 | 2 1/2" | 63 | 19 | 17 x 17 | F-07/F-10 |
| 2052 11 | 3" | 63 | 19 | 17 x 17 | F-07/F-10 |
| 2052 12 | 4" | 63 | 19 | 17 x 17 | F-07/F-10 |

Extremo Fondo de Tanque / Tank Bottom Flange



| Ref | Medida / Size | Medidas / Dimensions (mm) | | | | | |
|---------|---------------|---------------------------|-----|-----|-----|----|---|
| | | B | C | D | E | F | G |
| 2052 04 | 1/2" | 15 | 70 | 60 | 40 | 25 | 3 |
| 2052 05 | 3/4" | 20 | 85 | 75 | 50 | 25 | 3 |
| 2052 06 | 1" | 25 | 95 | 80 | 55 | 25 | 3 |
| 2052 07 | 1 1/4" | 32 | 110 | 90 | 60 | 25 | 3 |
| 2052 08 | 1 1/2" | 40 | 130 | 110 | 74 | 25 | 3 |
| 2052 09 | 2" | 50 | 150 | 140 | 91 | 25 | 3 |
| 2052 10 | 2 1/2" | 65 | 185 | 175 | 108 | 28 | 5 |
| 2052 11 | 3" | 80 | 200 | 185 | 128 | 28 | 5 |
| 2052 12 | 4" | 100 | 240 | 220 | 150 | 28 | 5 |

CURVA PRESION TEMPERATURA / *PRESSURE TEMPERATURE RATING*



VALORES DE Kv / *Kv* VALUES

Kv = Es la cantidad de metros cúbicos por hora que pasará a través de la válvula generando una pérdida de carga de 1 bar.

Kv = The rate of flow of water in cubic meter per hour that will generate a pressure drop of 1 bar across the valve.

| 1/2" | 3/4" | 1" | 1 ¼" | 1 ½" | 2" | 2 ½" | 3" | 4" |
|------|------|----|------|------|-----|------|------|------|
| 24 | 43 | 83 | 130 | 205 | 340 | 520 | 1100 | 1820 |