

## ARTICULO: 2240

### Mirilla de Turbulencia extremos roscados.

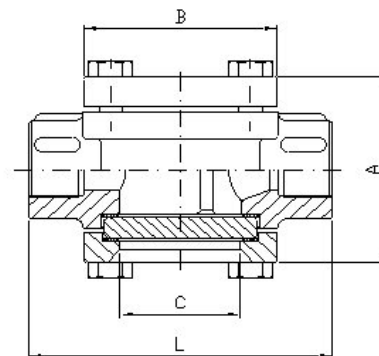
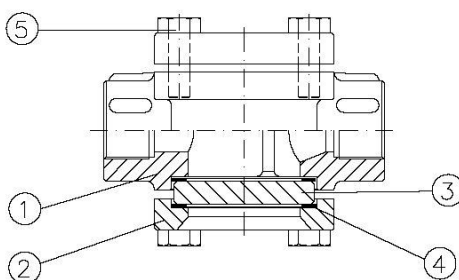
### Threaded ends Sight Glass.

#### Características

1. Mirilla de Turbulencia.
2. Extremos roscados según ISO 7-1 (EN 10226-1).
3. Construcción en Acero Inox. 1.4408 (CF8M).
4. Presión de trabajo máxima 16 bar.
5. Temperatura de trabajo máxima 240 °C a 10 bar.

#### Features

1. Sight Glass.
2. Threaded ends according ISO 7-1 (EN10226-1).
3. Made of Stainless Steel 1.4408 (CF8M).
4. Max. Working pressure 16 bar.
5. Max. Working temperature 240 °C at 10 bar.



| Nº | Denominación / Name | Material   | Acabado Superficial / Surface Treatment | Ref.  |
|----|---------------------|--|---|-------|
| 1  | Cuerpo / Body       | Acero Inox. / Stainless Steel 1.4408                   | Granallado / Shot Blasting              | ----- |
| 2  | Tapa / Cover        | Acero Inox. / Stainless Steel 1.4408                   | Granallado / Shot Blasting              | ----- |
| 3* | Cristal / Glass     | Vidrio Sodocálcico Templado / Tempered Soda-Lime Glass | -----                                   | C2250 |
| 4* | Junta / Gasket      | PTFE   | -----                                   | J2250 |
| 5  | Tornillo / Bolt     | Acero Inox. / Stainless Steel AISI 304                 | -----                                   | ----- |

\* Piezas de recambio disponibles / Available spare parts

### DIMENSIONES GENERALES / GENERAL DIMENSIONS

| Ref     | Medida / Size | PN | Dimensiones / Dimensions (mm) |     |    |    | Cristal / Glass | Peso / Weight (Kg) |
|---------|---------------|----|-------------------------------|-----|----|----|-----------------|--------------------|
|         |               |    | L                             | A   | B  | C  |                 |                    |
| 2240 04 | 1/2"          | 16 | 100                           | 70  | 64 | 40 | ∅ 50 x 8        | 1,100              |
| 2240 05 | 3/4"          | 16 | 100                           | 70  | 64 | 40 | ∅ 50 x 8        | 1,050              |
| 2240 06 | 1"            | 16 | 120                           | 88  | 72 | 50 | ∅ 63 x 10       | 1,600              |
| 2240 07 | 1 1/4"        | 16 | 120                           | 88  | 72 | 50 | ∅ 63 x 10       | 1,750              |
| 2240 08 | 1 1/2"        | 16 | 150                           | 123 | 96 | 65 | ∅ 80 x 12       | 3,850              |
| 2240 09 | 2"            | 16 | 150                           | 123 | 96 | 65 | ∅ 80 x 12       | 4,000              |

## CURVA PRESION TEMPERATURA / *PRESSURE TEMPERATURE RATING*

