

## ARTICULO: 0340N

### Fittings inoxidable: Enlace 3 piezas H-H

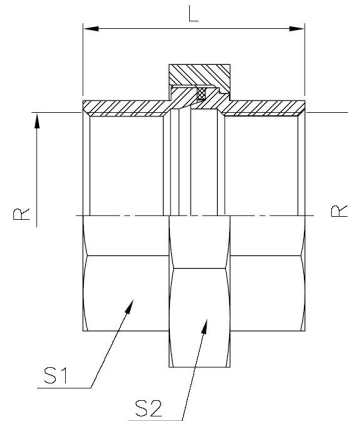
### Stainless steel fittings: Union 3 pieces F-F

#### Características

1. Construcción en Inoxidable 316 (microfusión).
2. Roscas de acuerdo a norma ANSI B 2.1 NPT.
3. Dimensiones de acuerdo a norma ISO 4144.
4. Cierre con junta de PTFE.
5. Presión máxima de trabajo 20 bar (S-150).
6. Temperatura de trabajo -25 °C a 180 °C

#### Features

1. Made of AISI 316 (lost wax casting).
2. Threads according to ANSI B 2.1 NPT Std.
3. Dimensions according to ISO 4144 Std.
4. Sealing with PTFE gasket.
5. Max. Working pressure 20 bar ( S-150 ).
6. Temperature ratings -25 °C to 180 °C



#### DIMENSIONES GENERALES / GENERAL DIMENSIONS:

| Ref.     | Medida /<br>Size ( R ) | Dimensiones /<br>Dimensions (mm) |     |     |
|----------|------------------------|----------------------------------|-----|-----|
|          |                        | L                                | S 1 | S2  |
| 0340N 02 | 1/4"                   | 33,5                             | 17  | 29  |
| 0340N 03 | 3/8"                   | 36,5                             | 20  | 34  |
| 0340N 04 | 1/2"                   | 39,5                             | 25  | 39  |
| 0340N 05 | 3/4"                   | 42,5                             | 30  | 47  |
| 0340N 06 | 1"                     | 50                               | 38  | 58  |
| 0340N 07 | 1 1/4"                 | 54                               | 47  | 67  |
| 0340N 08 | 1 1/2"                 | 58                               | 53  | 76  |
| 0340N 09 | 2"                     | 65                               | 66  | 90  |
| 0340N 10 | 2 1/2"                 | 75                               | 82  | 109 |
| 0340N 11 | 3"                     | 83                               | 96  | 123 |