

Tender specification:

Control unit DN 25 for local flow temperature control of surface heating systems in combination with Oventrop stainless steel distributors/collectors.

Consisting of:

- Connection fittings
- Three-way diverting valve
- Temperature controller with contact sensor
- Check valve, pipe contact safety switch as protection against excess temperature
- Electronically controlled high-efficiency pump

Pre-assembled and leak tested.

Technical data:

Max. operating pressure p_G :	6 bar
Permissible differential pressure Δp_{max} :	200 kPa (2 bar)
Max. operating temperature t_S :	
Primary side:	90 °C
Secondary side:	50 °C
Control range temperature controller:	20-50 °C
Temperature range electric pipe contact safety switch:	20-90 °C
k_{VS} value:	3.7
Performance range:	up to 15 kW or up to 200 m ² heating surface with a heat demand of 75 W/m ²

Fluid: Non-aggressive fluids (e.g. water or suitable water and glycol mixtures according to VDI 2035). Not suitable for steam, oily and aggressive fluids.

Item no.:

with high-efficiency pump Wilo-Yonos PARA RSB 15/6 1151600

Description and function:

The control unit “Regufloor HN” is used for constant flow temperature control in surface heating systems.

The three-way valve has one inlet port (AB) and two outlet ports (A and B). Depending on the position of the valve disc, the direction of flow is diverted from one outlet port to the other, or in case of intermediate positions, it is diverted between the two outlet ports. The temperature controller with contact sensor works without auxiliary energy and allows for intermediate positions. With the temperature at the supply rising, the straight port is opened and the angle port is closed. The temperature is detected by the contact sensor at the supply.

The automatic pump control steadily adjusts the pump output to the current hot water demand.

The electric pipe contact safety switch is preset to 60 °C and protects the surface heating circuit from inadmissible high temperature by switching the pump off if the set temperature is exceeded. If the set temperature is undercut, the pump is switched on again.

Dimensions/Connection sizes:

The installation depth of the control unit inside the cabinet amounts to approx. 100 mm from the leading edge of the pump head to the rear wall of the cabinet (fixing rails have been taken into account), see illustr. “Dimensions” on the right hand side.

This installation depth has to be taken into account when installing the cabinet (pull out frame accordingly).

Installation advice:

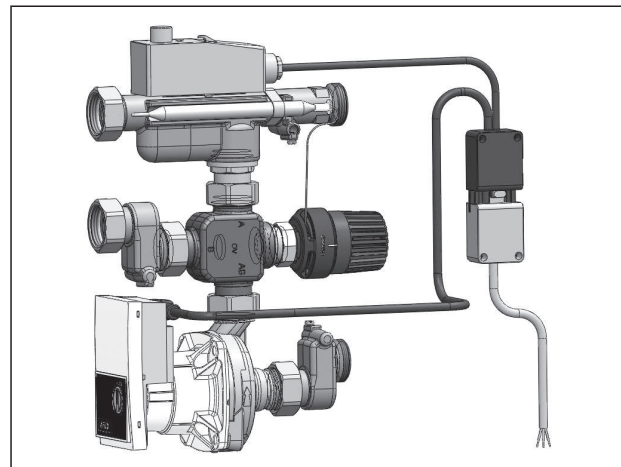
The correct flow direction must be observed when connecting the control unit to the stainless steel distributor/collector, see illustr. “Flow direction” on the right hand side.

The supply at the control unit is always located at the top and the return at the bottom.

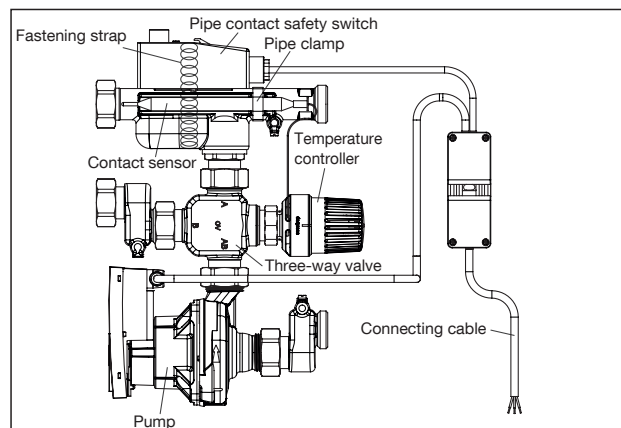
The control unit is supplied for left hand side connection. For right hand side connection, turn the control unit vertically.

Subject to technical modifications without notice.

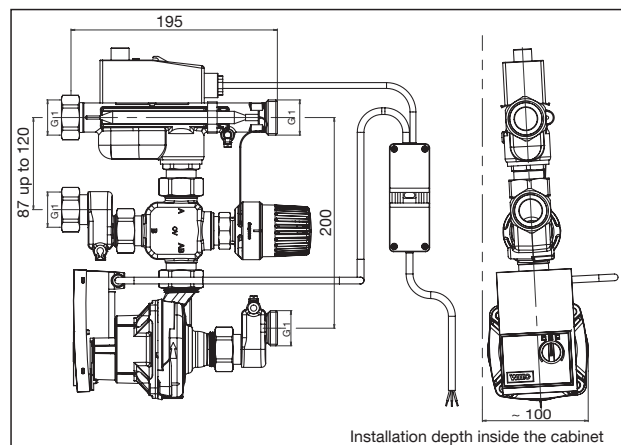
Product range 2
ti 319-EN/10/MW
Edition 2017



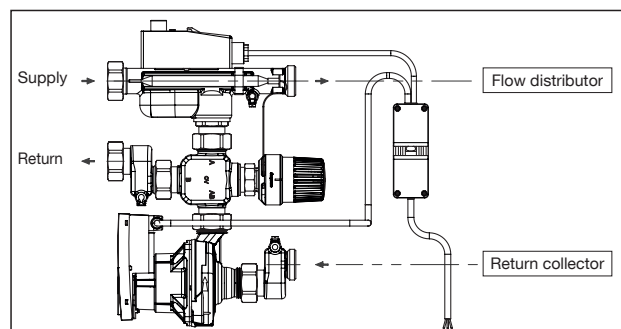
“Regufloor HN”



Summary



Dimensions



Flow direction